

ADDENDUM NUMBER THREE

PROJECT NO. 10238.00/6.6

08 August 2022

A NEW WORSHIP FACILITY

FOR

**TABERNACLE BAPTIST CHURCH
Selma, Alabama**

exford
ARCHITECTS

**3929 Jefferson Avenue Southwest
Birmingham, Alabama 35221
Telephone: 205.957.6640
www.exfordllc.com**

 Find us on
Facebook

Copyright 2022

This addendum shall form a part of the Contract Documents for the New Worship Facility For Tabernacle Baptist Church, Selma, Alabama. Modifications to the Contract Documents, dated 18 May 2022, made by this Addendum follow:

REFER TO ADDENDUM NUMBER TWO:

1. ON THE DOOR AND FRAME SCHEDULE, make the following change:
 - a. Delete Doors 22, 23, 24 and 25. These doors shall be incorporated into the folding panel partition system.

REFER TO THE PROJECT MANUAL:

1. SPECIFICATION DOCUMENT 05 12 00 – STRUCTURAL STEEL FRAMING, make the following change:
 - a. In Paragraph 1.6A, Steel fabricators that follow AISC regulations but are not AISC certified shall be acceptable. However, inspection of the shop procedures shall be required.
2. SPECIFICATION DOCUMENT 03 49 43 – GLASS FIBER REINFORCED CONCRETE DOMES, make the following change:
 - a. Delete this Specification Section in its entirety.
 - b. The Architectural Dome shall be constructed of Fiberglass;
Manufacturer:
Architectural Fiberglass, Inc.
8300 Bessemer Avenue
Cleveland, OH 44127-1839
(888) 483-1775
sales@fiberglass-afi.com
OR APPROVED EQUAL
3. SPECIFICATION DOCUMENT 11 61 23 – FOLDING AND PORTABLE STAGES, make the following change:
 - a. Delete this Specification Document from the Project Manual in its entirety.

REFER TO THE DRAWINGS:

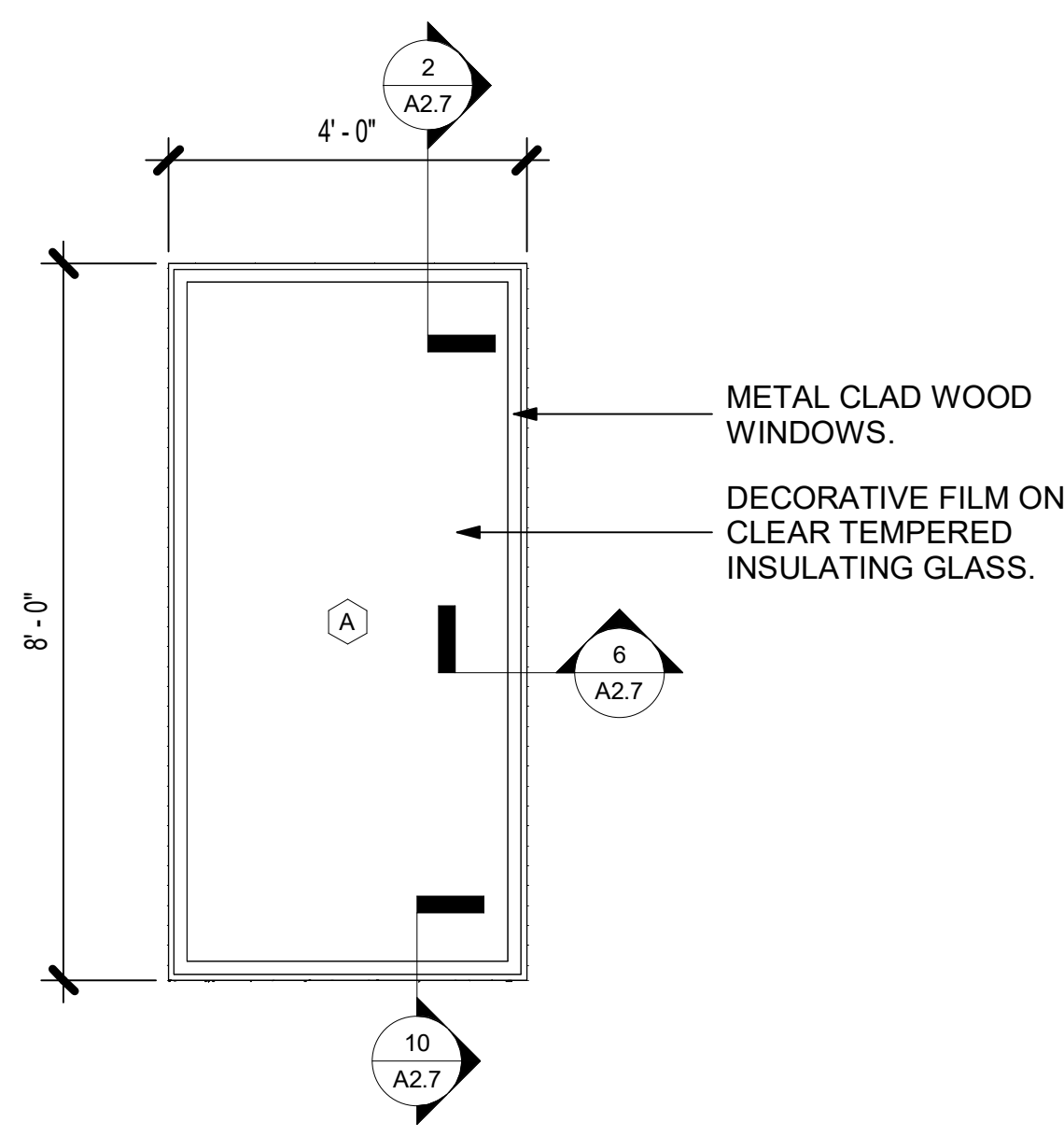
1. ON DRAWING SHEET A2.1 – FIRST FLOOR DIMENSION AND REFERENCE PLAN, the following clarification is offered:

- a. In Multi-Purpose Room 123, Doors 22, 23, 24 and 25 shall be incorporated into the Folding Panel Wall System in lieu of being independent doors.
2. ON DRAWING SHEET A2.6 – WINDOW SCHEDULE, make the following change:
 - a. Add Window Type “G” and Window Type “H” to the project.
 - b. REFER TO WINDOWS A and B, the window film type is described in the “NOTE” on the upper right side of the drawing sheet.
3. ON DRAWING SHEET A5.1 – INTERIOR ELEVATIONS, the following clarification is offered:
 - a. The fabric wrapped wall panels described in Specification Document – 09 77 23 FABRIC WRAPPED PANEL are shown on Interior Elevation Number 1 on Sheet A5.2.
4. ON DRAWING SHEET A7.2 – STAIR ELEVATIONS & SECTIONS, the following clarification is offered:
 - a. Railing pickets shall be vertical and indicated in Stair Section 1. Disregard horizontal tubes shown on associated details on the drawing sheet Keyed to the exterior stair.
5. ON DRAWING SHEET S1.2 – BALCONY FLOOR FRAMING PLAN, the following clarification is offered:
 - a. Splicing the +/-80 Foot W36 x 194 Steel Beam may be acceptable provided a Moment Splice Design at the Location is performed and approved.

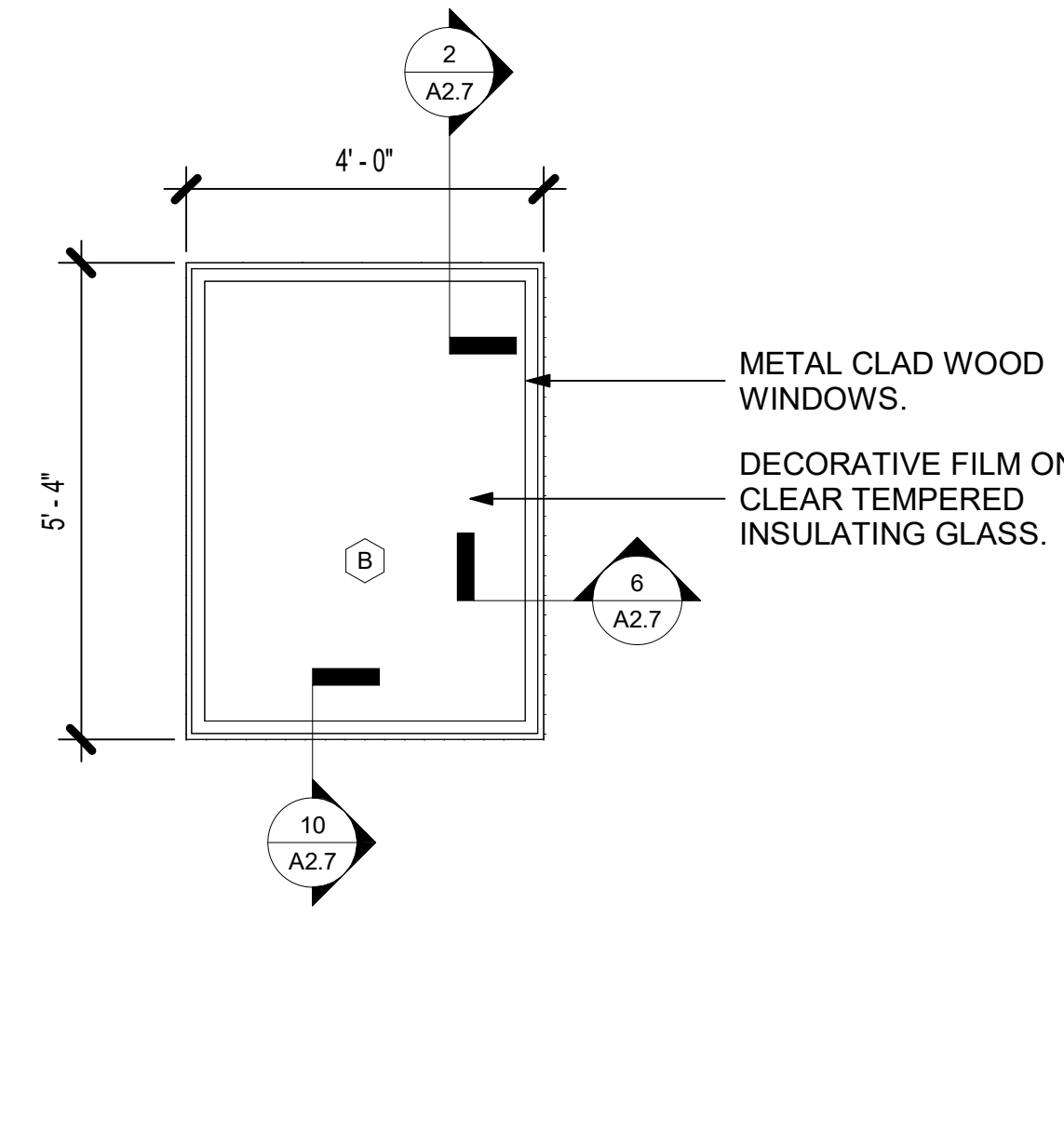
LIST OF ATTACHMENTS:

1. Revised Drawing Sheet A2.6 – Window Schedule

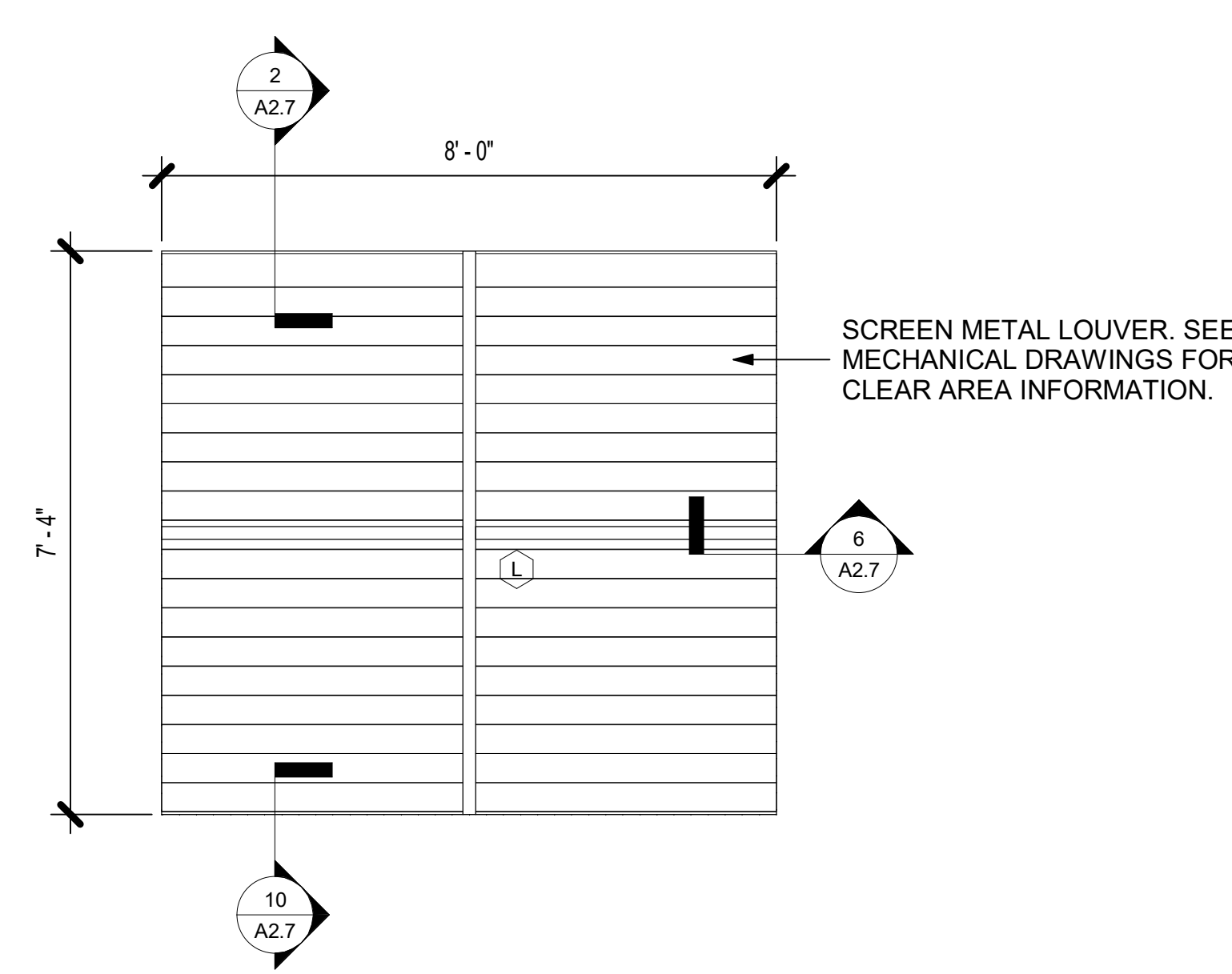
END OF ADDENDUM



1 WINDOW TYPE A
SCALE: 1/2" = 1'-0"



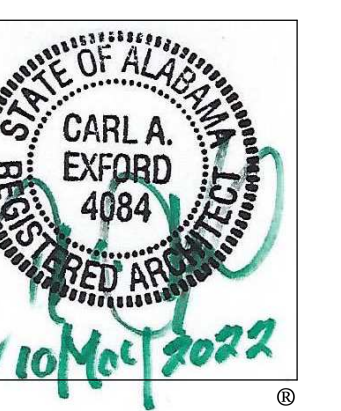
2 WINDOW TYPE B
SCALE: 1/2" = 1'-0"



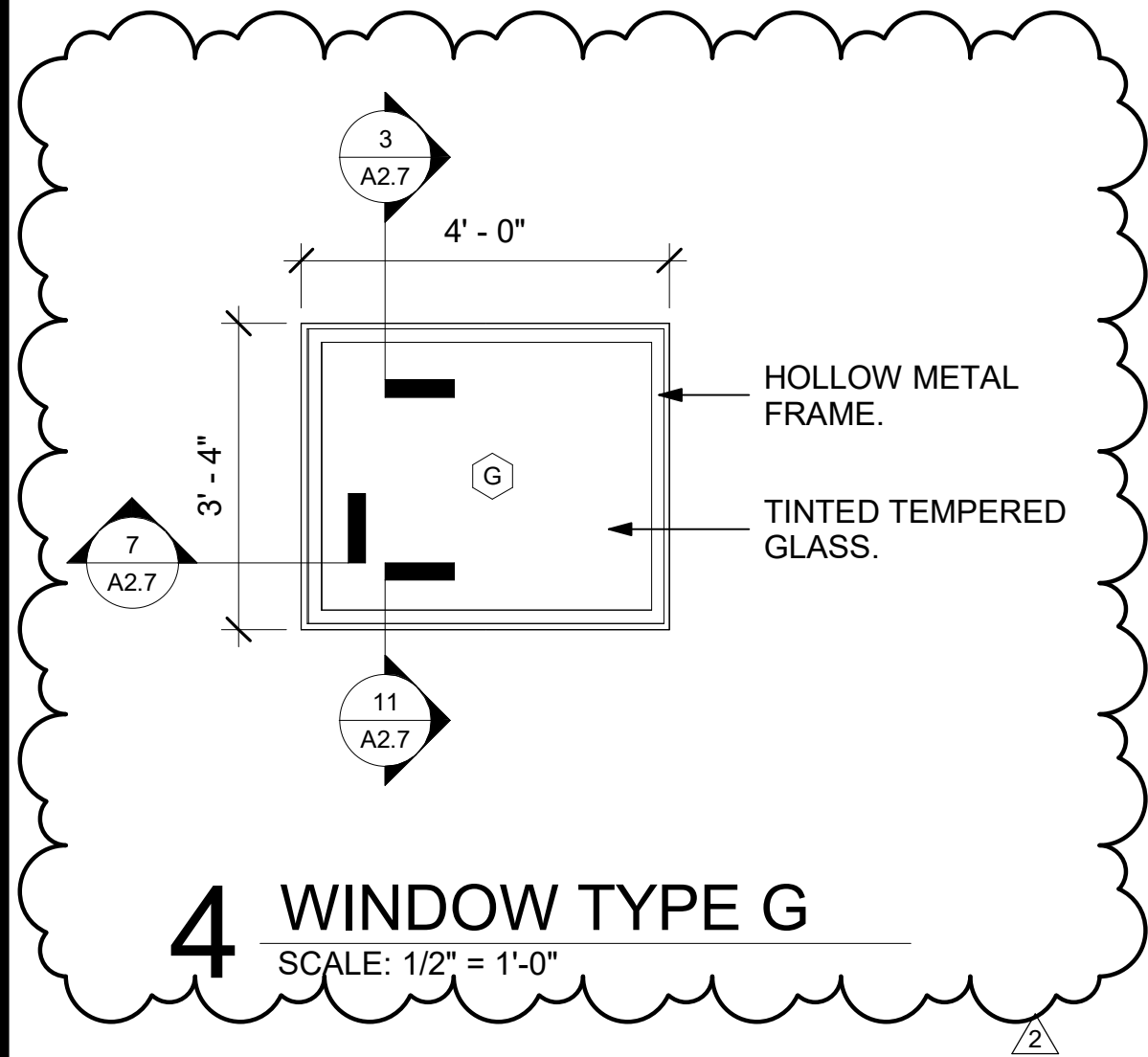
3 WINDOW TYPE F
SCALE: 1/2" = 1'-0"

NOTE:

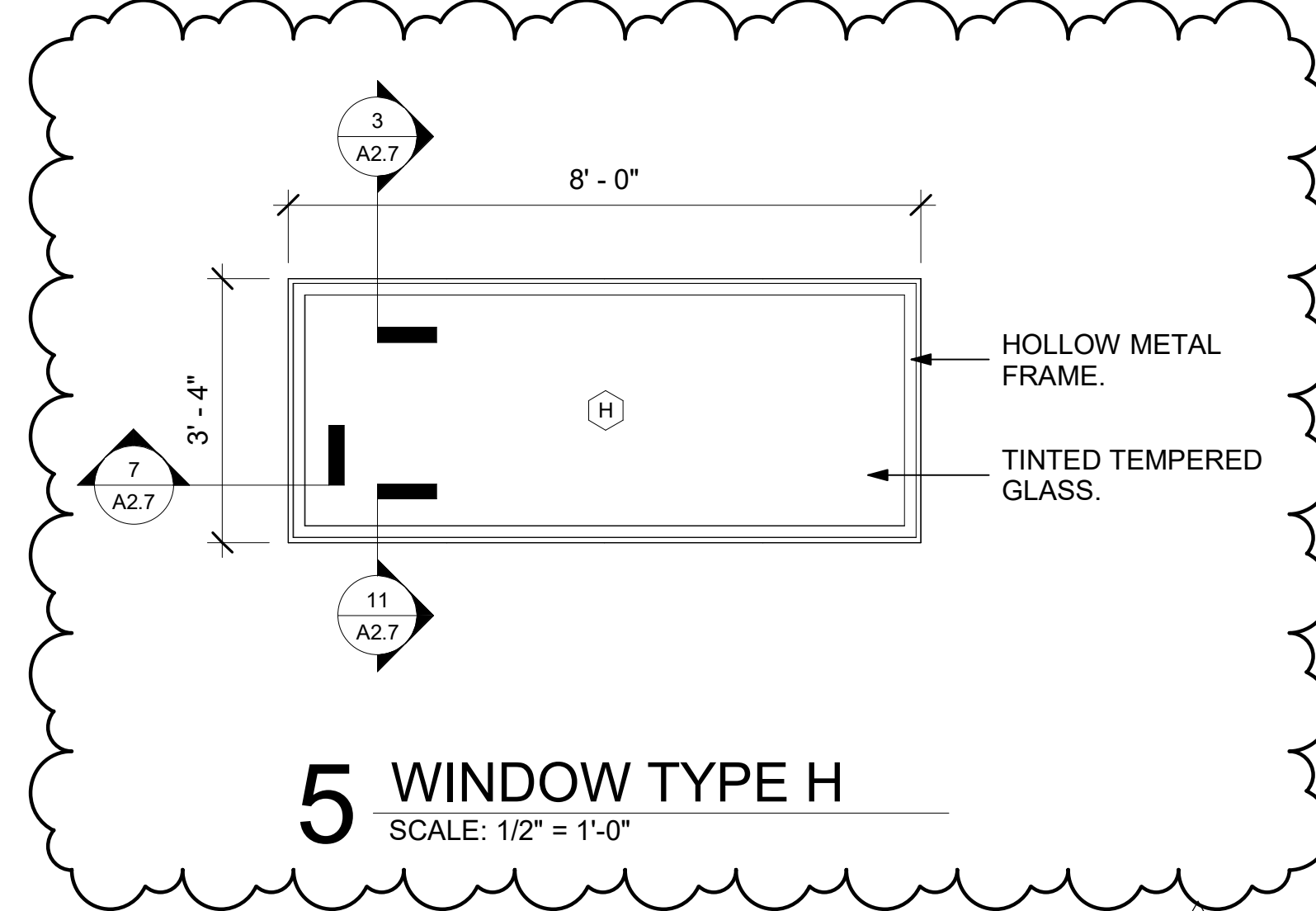
PROVIDE "SOLYX STAINED GLASS WINDOW FILM" MANUFACTURED BY DECORATIVE FILMS. MANUFACTURER OF PRIVACY WINDOW FILMS ON TYPE A & B WINDOWS AS SELECTED FROM MANUFACTURERS STANDARD. CONTACT FAX NUMBER (240)363-4818.



exford
ARCHITECTS

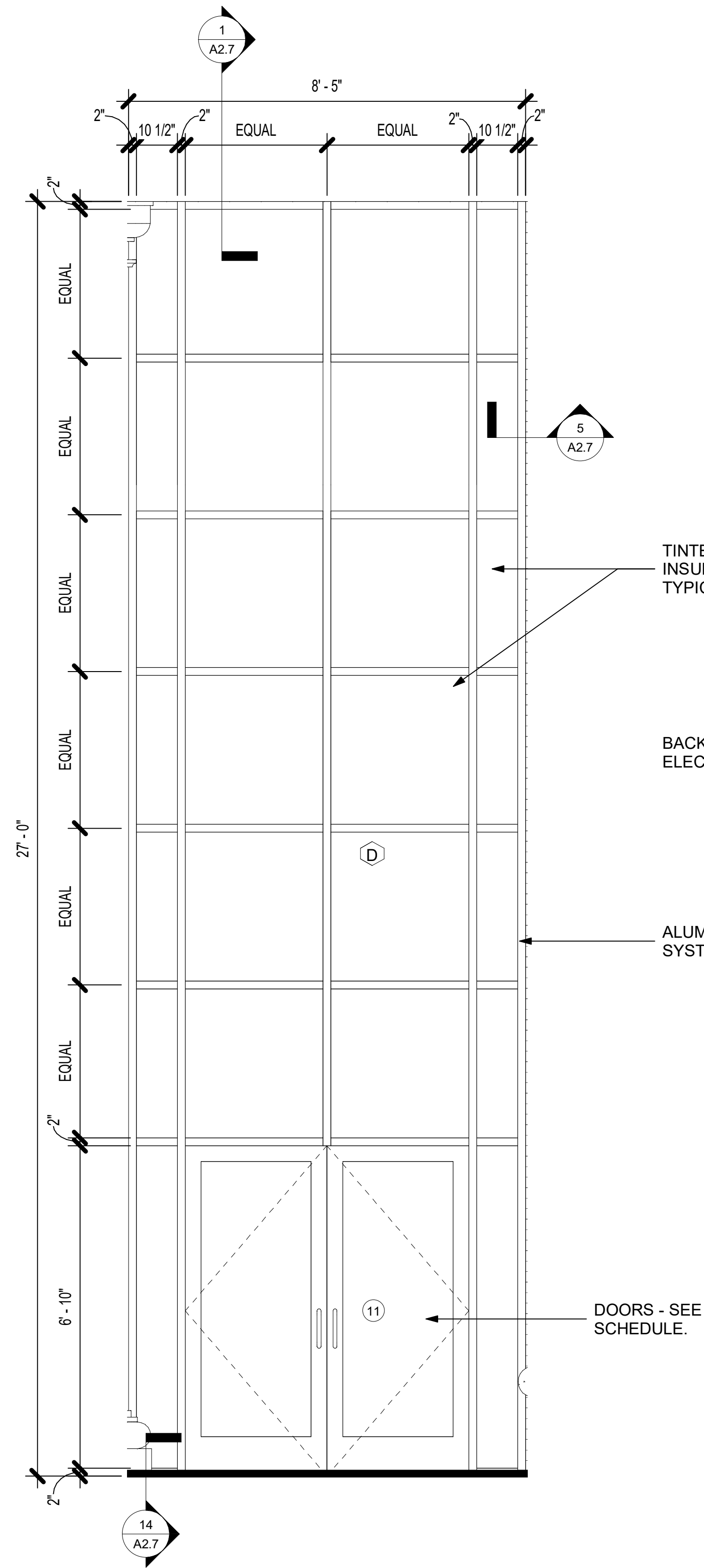


4 WINDOW TYPE G
SCALE: 1/2" = 1'-0"

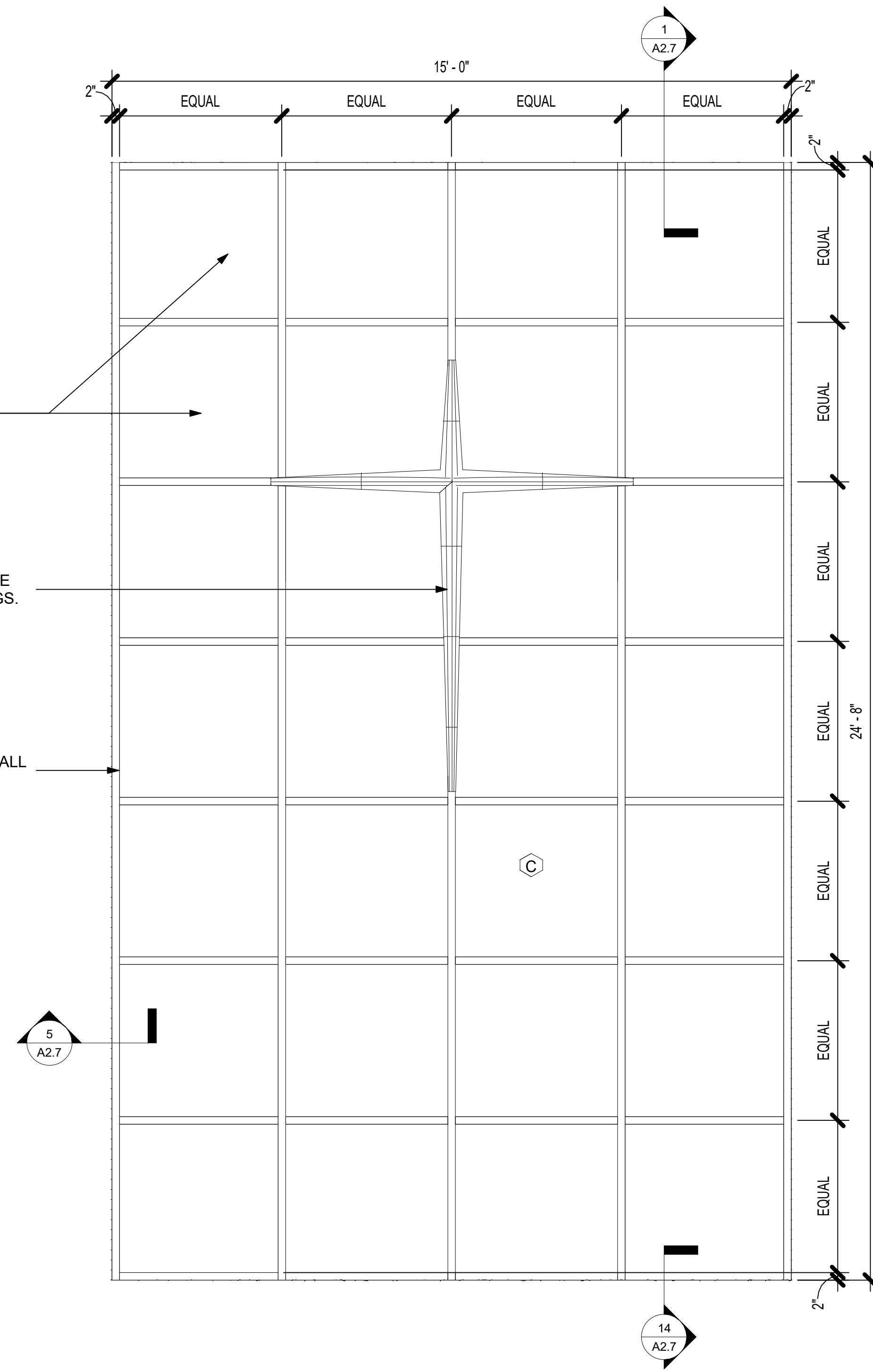


5 WINDOW TYPE H
SCALE: 1/2" = 1'-0"

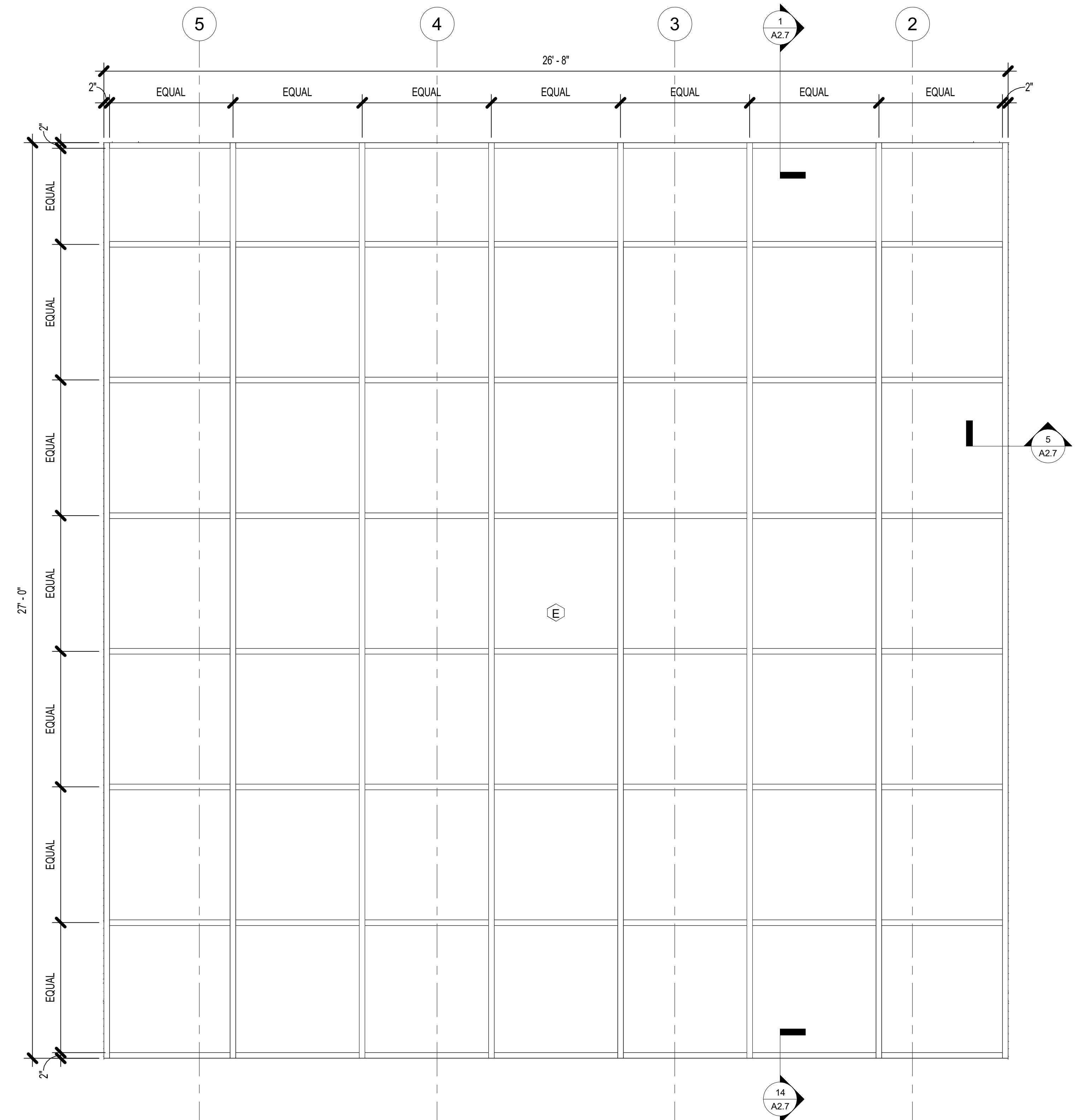
ASD-3
AUGUST 04, 2022
REFER TO DRAWING A2.6



6 WINDOW TYPE D
SCALE: 1/2" = 1'-0"



7 WINDOW TYPE C
SCALE: 1/2" = 1'-0"



8 WINDOW TYPE E
SCALE: 1/2" = 1'-0"

NEW WORSHIP FACILITY
FOR
TABERNACLE BAPTIST CHURCH
SELMA, ALABAMA

No.	Description	Date
1	ASD	08/04/22
2		
3		
4		
5		
6		
7		
8		
9		
10		
11		
12		
13		
14		

WINDOW SCHEDULE

A2.6

Project number 10238.00
Date 05/20/2022

8/4/2022 11:54:02 AM